



KNEEBONE, BERETTA & HALL PTY LTD

CONSULTING STRUCTURAL & CIVIL ENGINEERS
ACN 002 419 767 ABN 36 822 442 203

4 Macquarie Avenue PENRITH NSW 2750

PHONE: (02) 4731 3833

FAX: (02) 4721 5442

E-MAIL: kneebone@pnc.com.au

WEB SITE: www.kbqconsulting.com



Ref : 101980

Date : 3 June 2015

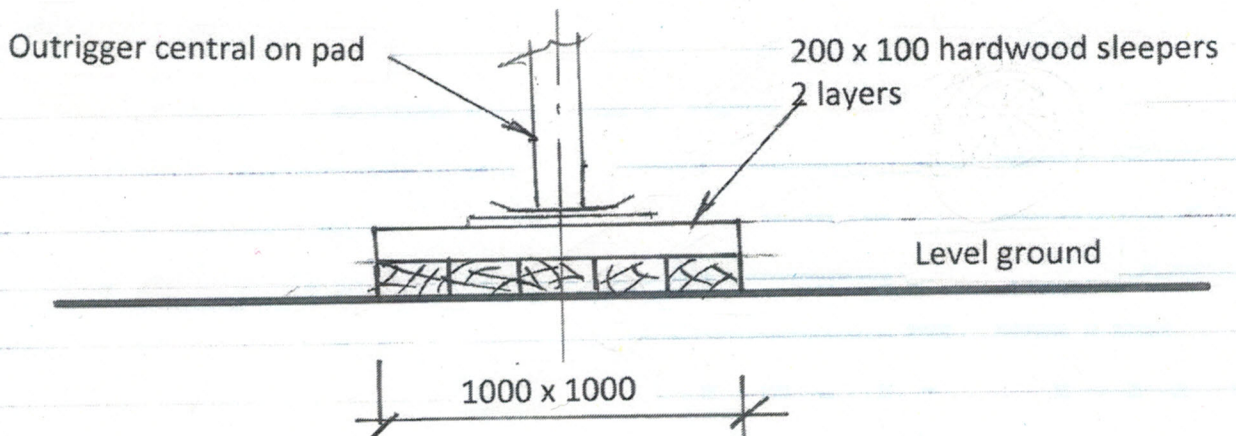
WALLACE CONCRETE PUMPING

SUPPORT FOR CONCRETE PUMP OUTRIGGERS AT NORTHERN BEACHES HOSPITAL

Ground bearing pressure - 220 kPa

Load at each outrigger = 16 tonne

Pads below outriggers to be 1.0m x 1.0m



Trevor B Hall BSc(Eng) FIEAust CPEng

KNEEBONE, BERETTA & HALL PTY LTD

Consulting Structural & Civil Engineers