



Ref no. JDB38-001

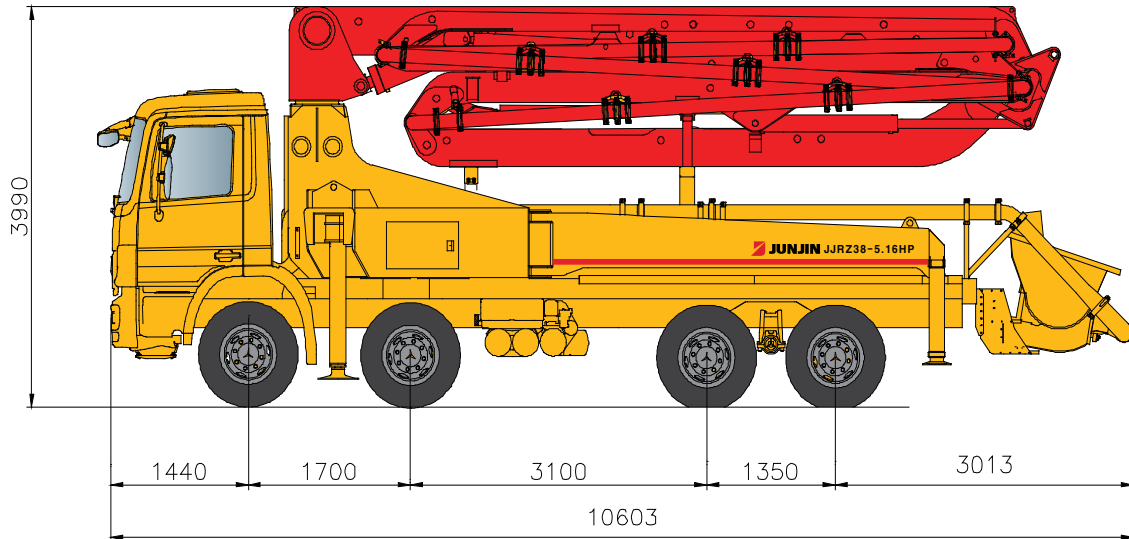
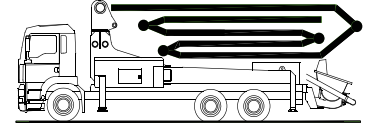
# DATA SHEET

TRUCK MOUNTED BOOM PUMP



## JXRZ38-5.16HP

38M Truck Mounted Boom Pump  
with 158 m<sup>3</sup>/h Output R & Z Type Boom Design



\* Remark : Standard specification with MB4141. Dimension depends on truck specification.

### TECHNICAL SPECIFICATION

General Specification		Pump Specification			Boom Specification	
Delivery Line	DN 125 / 5"	Output	Rod	158 m <sup>3</sup> /h	Number of booms	5 Sections
Radio remote	Proportional control		Piston	98 m <sup>3</sup> /h	Folding Type	R & Z
Wear plate / Ring	Tungsten Carbide	Pressure	Rod	72 Bar	Vertical Height	37.5 m
Water Pump	20 Bar		Piston	115 Bar	Horizontal Reach	33.5 m
Water Tank	500 Liter	Delivery Cylinder (Hard-chromed)	Φ230 mm		Unfolding height	7.5 m
Auto Lubrication	Hyd. grease, Hopper	Stroke Length	2100 mm		End-Hose Length	4.0 m
		S-Valve	8" X 7"		1st Section	7.4 m
		Main Oil Pump	Rexroth Hydromatic		2nd Section	6.4 m
		System Pressure	350 Bar		3rd Section	6.4 m
		Switching Type	Hydraulic		4th Section	6.7 m
		Hopper Capacity	600 Liter		5th Section	6.6 m

\* All technical data are theoretical values and Specification are subject to change without prior notice.  
\* www.junj.in.com



Ref no. JDB38-001

# DATA SHEET

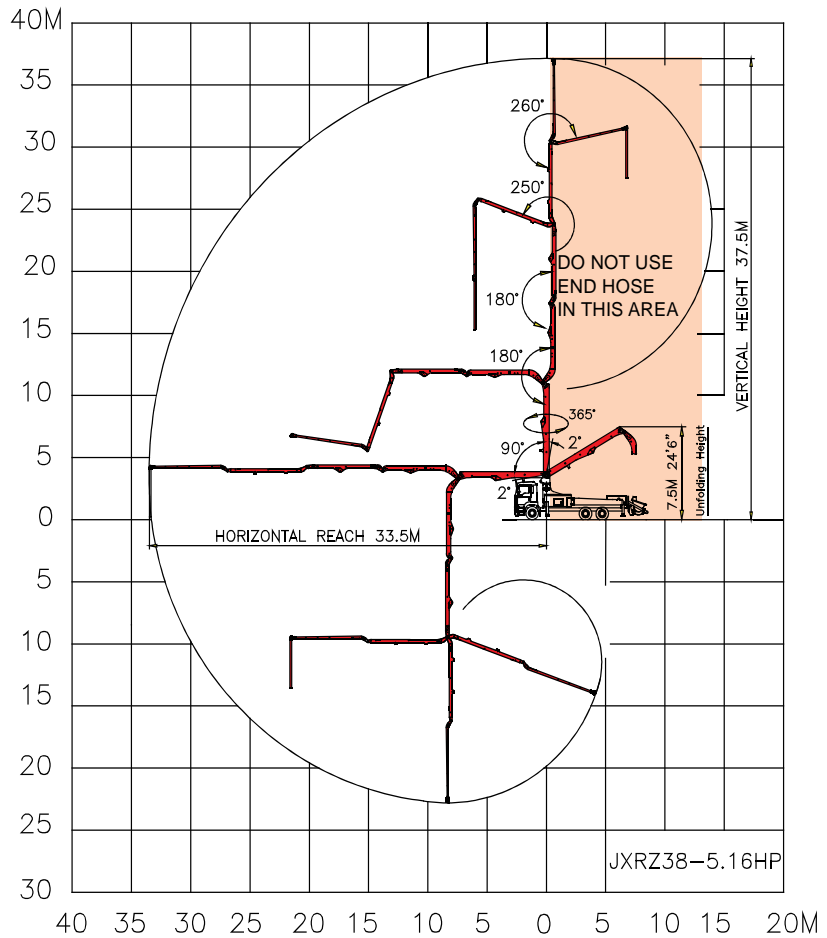
TRUCK MOUNTED BOOM PUMP



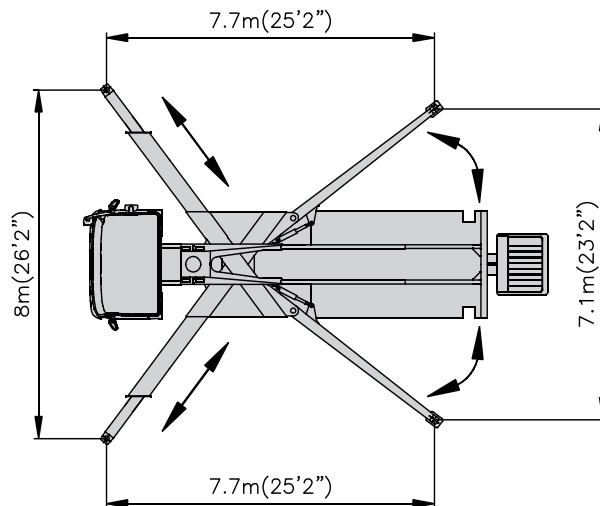
## JXRZ38-5.16HP

### 38M Truck Mounted Boom Pump with 158m<sup>3</sup>/h Output R & ZType Boom Design

**BOOM  
WORKING  
DIAGRAM**



**OUTRIGGER  
SPAN**



\* All technical data are theoretical values and Specification are subject to change without prior notice.  
 \* [www.junjin.com](http://www.junjin.com)