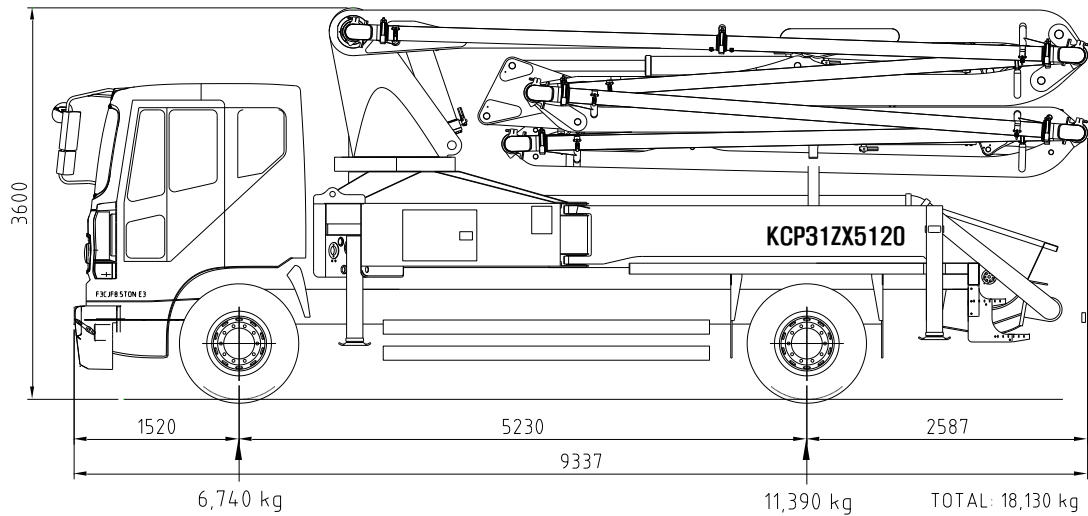


Our Pride ...

KCP30ZX5120

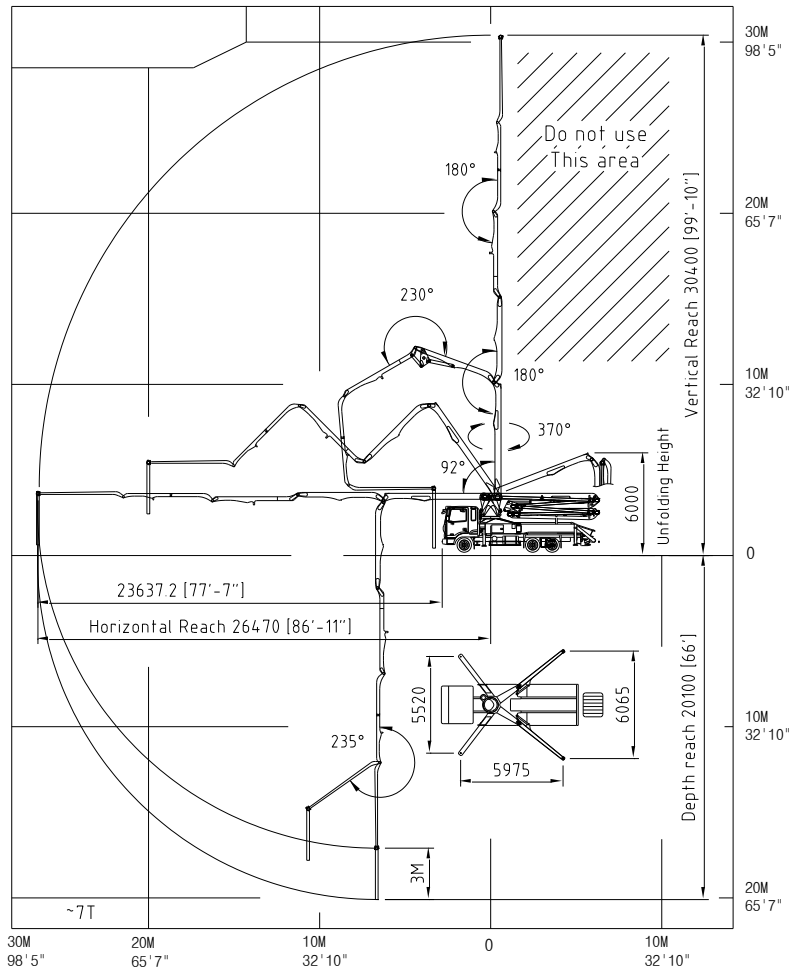


▣ Boom specifications

Vertical reach	30.4M
Horizontal reach	26.5M
Reach from front of truck	23.6M
Unfolding height	6 M
Section articulation	92°/180°/230°/180°/235°
Rotation	370°
Delivery line	125 mm
Proportional boom	Yes
End hose length	3M
Outrigger spread-front	5.52 M
Outrigger spread-rear	6.06 M
Max.outrigger weight	14,000kg

- ◎ Truck specifications : DAEWOO F3CJF8.5TON (250ps,EURO3)
- ◎ Maximum theoretical values listed.
- ◎ Photos and drawings are for illustrative purpose only
- ◎ Right to make technical amendments reserved

▣ Working diagram



▣ Pump specifications

Maximum output	100 m³/h
Concrete cylinder	Ø230×1400
Stroke per minute	31
Concrete pressure	70 bar
Hopper capacity	0.5 m³
S-tube	Ø200×Ø150
Hydraulic pump	Rexroth – A11VLO190
Cycling system	Hydraulic with manual overrides
Max. aggregate size	40 mm