



Ref no. JDB28-001

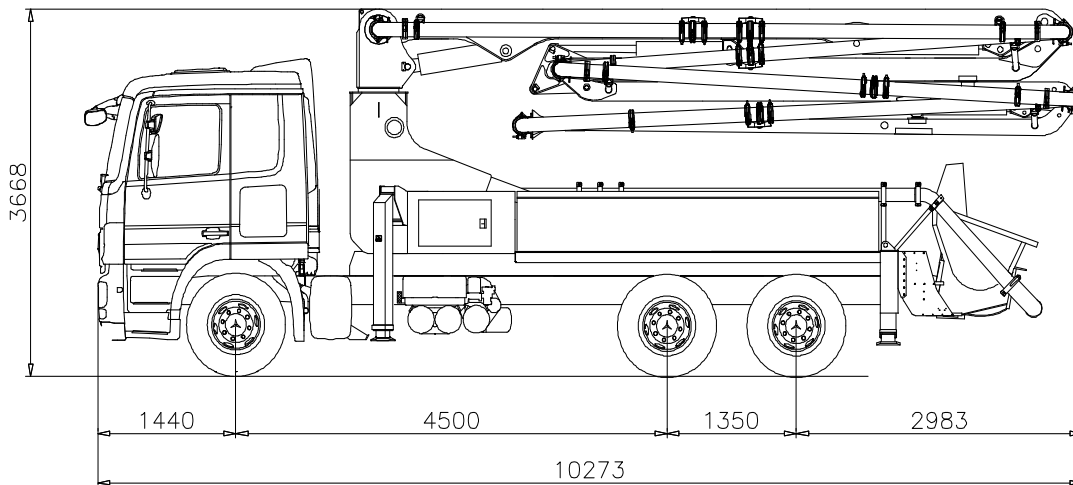
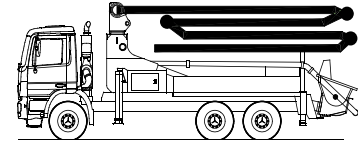
# DATA SHEET

TRUCK MOUNTED BOOM PUMP



## JXZ28-4.11HP

### 28M Truck Mounted Boom Pump with 110 m<sup>3</sup>/h Output Z Type Boom Design



\* Remark : Standard specification with MB2641. Dimension depends on truck specification.

### TECHNICAL SPECIFICATION

| General Specification |                      | Pump Specification               |                    |                       | Boom Specification |            |
|-----------------------|----------------------|----------------------------------|--------------------|-----------------------|--------------------|------------|
| Delivery Line         | DN 125 / 5"          | Output                           | Rod                | 109 m <sup>3</sup> /h | Number of booms    | 4 Sections |
| Radio remote          | Proportional control |                                  | Piston             | 73 m <sup>3</sup> /h  | Folding Type       | Z          |
| Wear plate / Ring     | Tungsten Carbide     | Pressure                         | Rod                | 54 Bar                | Vertical Height    | 27.6 m     |
| Water Pump            | 20 Bar               |                                  | Piston             | 80 Bar                | Horizontal Reach   | 23.8 m     |
| Water Tank            | 470 Liter            | Delivery Cylinder (Hard-chromed) | Φ230 mm            |                       | Unfolding height   | 6.4 m      |
| Auto Lubrication      | Hyd. grease, Hopper  | Stroke Length                    | 1400 mm            |                       | End-Hose Length    | 3.0 m      |
|                       |                      | S-Valve                          | 8" X 7"            |                       | 1st Section        | 7.2 m      |
|                       |                      | Main Oil Pump                    | Rexroth Hydromatic |                       | 2nd Section        | 5.2 m      |
|                       |                      | System Pressure                  | 350 Bar            |                       | 3rd Section        | 5.4 m      |
|                       |                      | Switching Type                   | Hydraulic          |                       | 4th Section        | 6.0 m      |
|                       |                      | Hopper Capacity                  | 600 Liter          |                       |                    |            |

\* All technical data are theoretical values and Specification are subject to change without prior notice.  
\* www.junj.in.com



Ref no. JDB28-001

# DATA SHEET

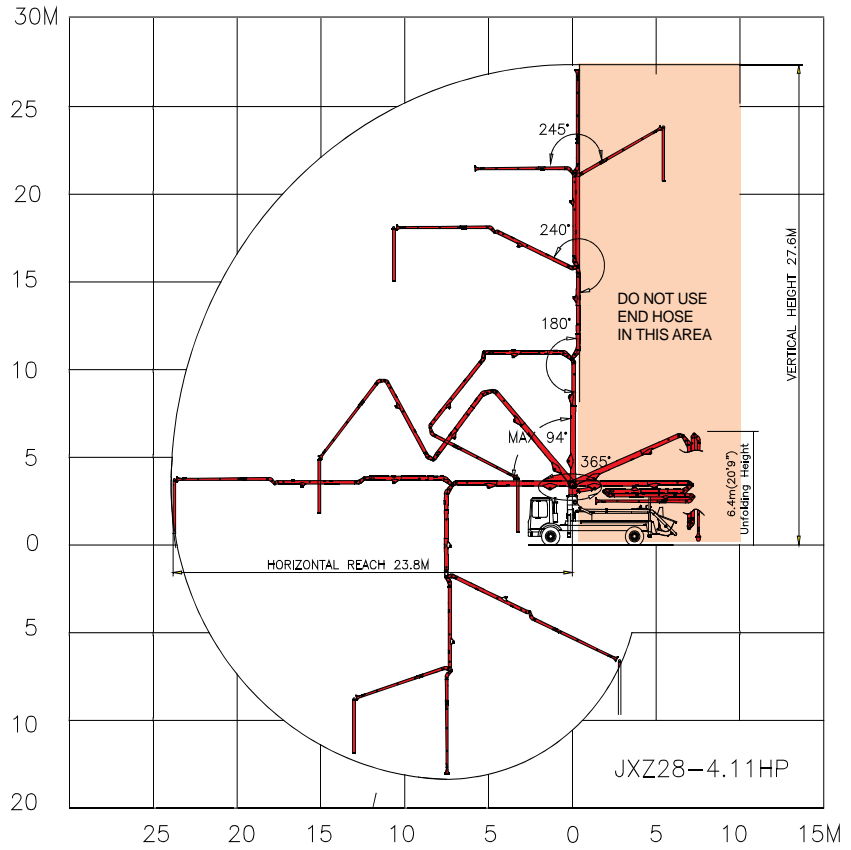
TRUCK MOUNTED BOOM PUMP



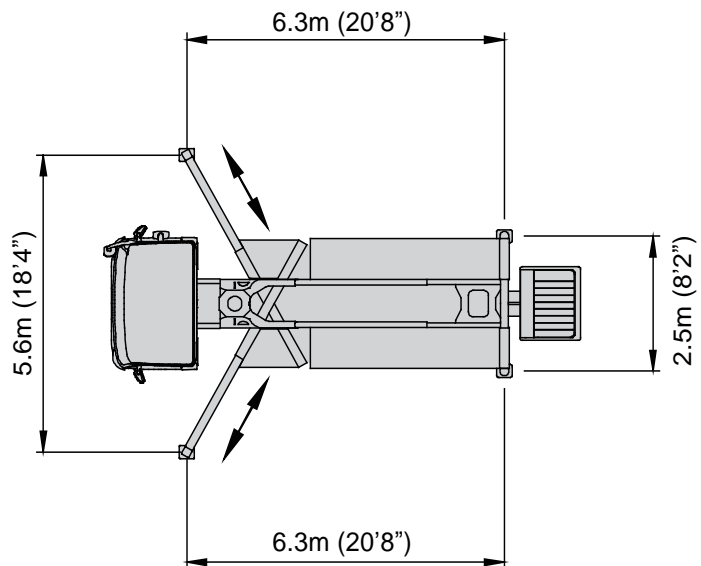
## JXZ28-4.11HP

28M Truck Mounted Boom Pump  
with 110 m<sup>3</sup>/h Output Z Type Boom Design

**BOOM  
WORKING  
DIAGRAM**



**OUTRIGGER  
SPAN**



\* All technical data are theoretical values and Specification are subject to change without prior notice.  
 \* [www.junjin.com](http://www.junjin.com)