

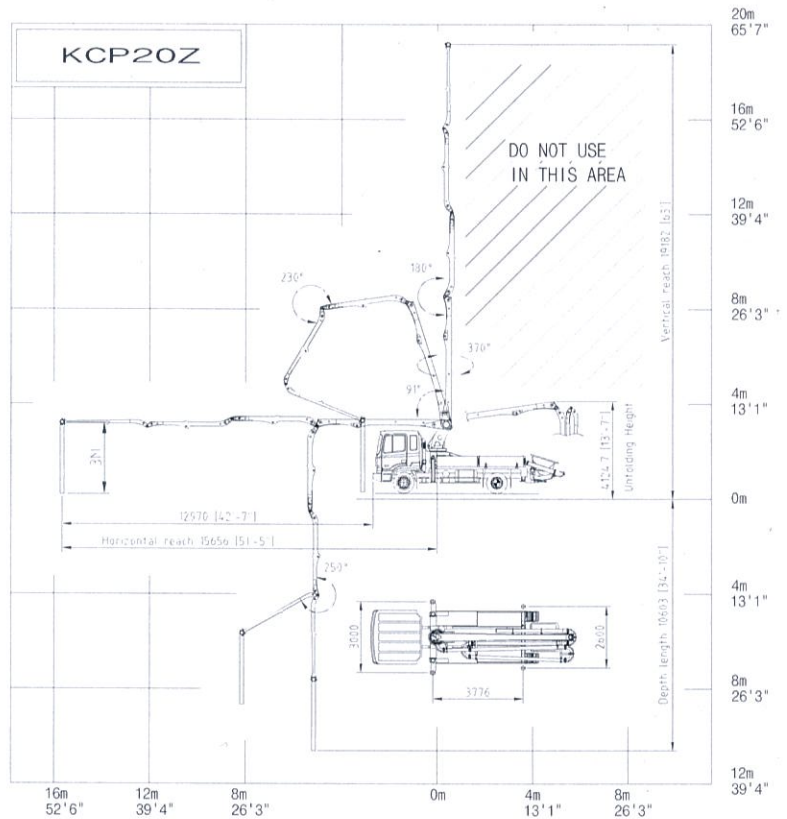
Width= 2440

### ■ Boom specifications

Vertical reach	19.2 m
Horizontal reach	15.7 m
Reach from front of truck	13.0 m
Unfolding height	4.1 m
Section articulation	91°/180°/230°/250°
Rotation	370°
Delivery line	125 mm
Proportional boom	Yes
End hose length	3.0 m
Outrigger spread-front	3.0 m
Outrigger spread-rear	2.6 m
Max. outrigger weight	9,000 kg

- © Truck specifications : FUSO Fighter 1627 (4x2) 9sp
- © Maximum theoretical values listed.
- © Photos and drawings are for illustrative purpose only
- © Right to make technical amendments reserved

### ■ Working diagram



### ■ Pump specifications

Maximum output	80 m <sup>3</sup> /h
Concrete cylinder	Ø230×1100
Stroke per minute	36
Concrete pressure	54 bar
Hopper capacity	0.6 m <sup>3</sup>
S-tube	Ø200×Ø180
Hydraulic pump	Rexroth A11VLO190
Cycling system	Hydraulic with manual overrides
Max. aggregate size	40 mm